

2/2-way valves DN 8 to DN 25
 for slightly aggressive gaseous and liquid fluids
 Indirectly solenoid actuated
 Diaphragm valves
 Internal threads G 1/4 to G 1 or 1/4" NPT to 1" NPT
 Operating pressure 0.1 to 16 bar

Click-on®
Stainless Steel

82730
 82740

Description (standard valve)

Solenoid valve for e.g. slightly aggressive gaseous and liquids

Switching function:	Normally closed
Flow direction:	determined
Fluid temperature:	-10°C to max. +90°C
Ambient temperature:	-10°C to max. +50°C
Mounting position:	optional, preferably solenoid vertical on top

Material

Body and Cover:	Stainless steel (1.4408 / AISI 316)
Seat seal:	NBR
Internal parts:	Stainless steel, PVDF

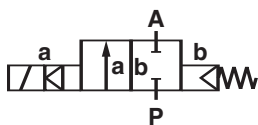


For contaminated fluids insertion of a strainer is recommended (see accessories).

Features

- High flow rate
- Damped operation
- Clear compact design
- Solenoid interchangeable without tools (*Click-on®*)

Symbol



Ordering information

To order, quote model number from table overleaf, e.g. 8273000.9101 for a G 1/4 valve with standard solenoid.

Characteristic data

See page 2 valve and solenoid informations

Detmolder Strasse 256
 D-32545 Bad Oeynhausen
 PO Box 10 02 52-53
 D-32502 Bad Oeynhausen
 Phone ++49 5731 / 791-0
 Fax ++49 5731 / 791-179
<http://www.buschjost.com>
mail@buschjost.de

Characteristic data

Valves

Part Number. with DC or AC solenoid	Nominal Diameter (mm)	Port size	Valve length (mm)	Operating Pressure*		kv-value** (Base m³/h)	Weight (kg)
				min	max (bar)		
8273000.9101 8274000.9101	8	G 1/4 1/4" NPT	60	0.1	16	1.90	0.47
8273100.9101 8274100.9101	10	G 3/8 3/8" NPT	60	0.1	16	3.00	0.45
8273200.9101 8274200.9101	12	G 1/2 1/2" NPT	67	0.1	16	3.80	0.50
8273300.9101 8274300.9101	20	G 3/4 3/4" NPT	80	0.1	16	6.10	0.65
8273400.9101 8274400.9101	25	G 1 1" NPT	95	0.1	16	9.50	0.95

State voltage [V] and frequency [Hz]

* with gaseous and liquid fluids up to 25 mm²/s (cSt)
** Cv-value (US) □ kv-value x 1.2

9101 / 9104 Solenoid

Standard voltages

DC	AC	
	50 Hz	60 Hz
24 V	24 V	–
–	110 V	120 V
205 V	230 V	220 V

Design acc. to DIN VDE 0580

Voltage range ±10 %

100 % duty cycle

Protection class acc. to EN 60529 IP65



Socket acc. to DIN EN 175301-803 (included)

Attention! Standard core tube with copper shading coil

Look for fluid resistant further options

Power Consumption

According to DIN VDE 0580 at coil temperature +20 °C. In operating the solenoid coil decrease the power consumption appr. 30 %.

DC	AC	
	Inrush	Holding
9101 8 W 	15 VA	12 VA / 7 W
9104 8 W 	9 VA	9 VA


For technical details see catalog-register "Solenoids"

Options (Valves)

- XXXXX**01**.XXXX Normally open (NO)
- XXXXX**03**.XXXX Seat seal FPM,
max. fluid temperature +110°C
- XXXXX**14**.XXXX Seat seal EPDM, for hot water,
max. fluid temperature +110°C;
0.3 to 16 bar up to DN 25
- XXXXX**81**.XXXX Core tube stainless steel,
Seat seal FPM,
max. fluid temperature +110°C,
for AC voltage: solenoid with rectifier

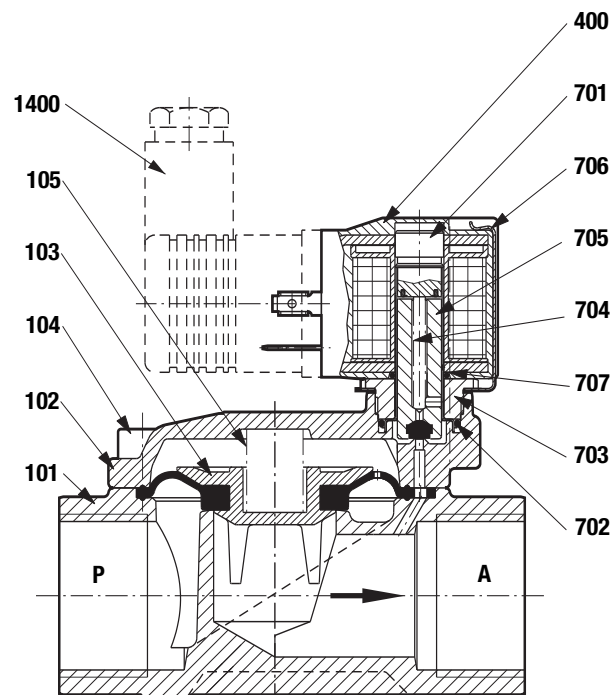
On request Further versions

Options (Solenoids)

- XXXXXXX**9136** Solenoid in protection class
 II 2 GD EEx m II T4 T 110°C,
with 3 m connection cable, for AC/DC

On request Further versions

Section View

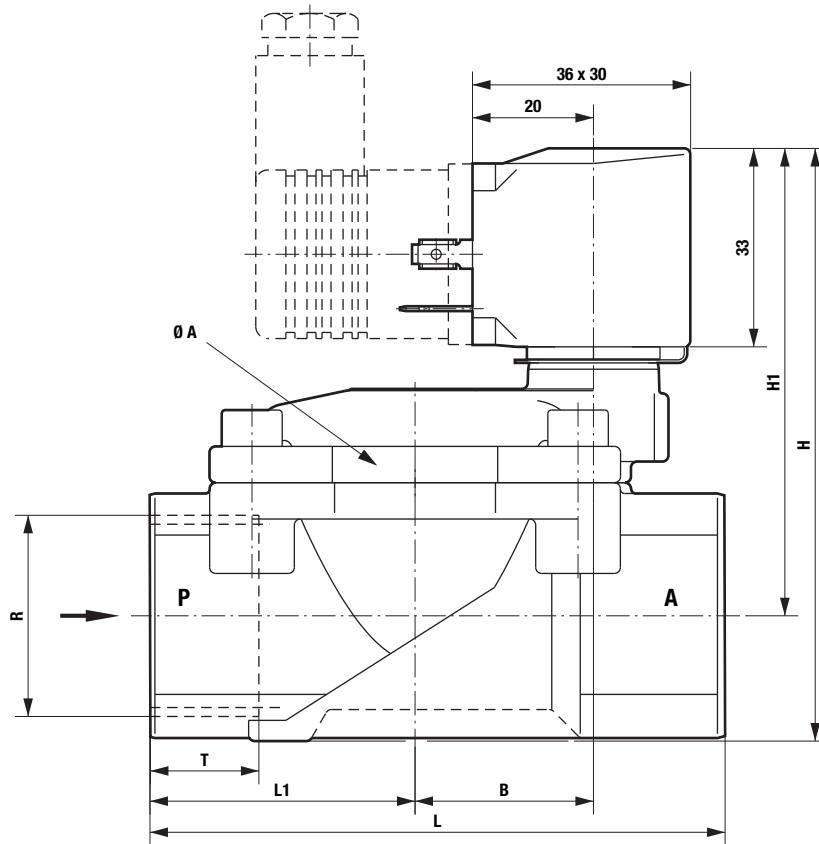


- 101 Valve body
- 102 Valve cover
- *103 Diaphragm
- 104 Socket head cap screw
- *105 Pressure spring
- 400 Solenoid
- 701 Core tube
- *702 O-ring
- 703 Screw piece
- *704 Pressure spring
- *705 Core
- 706 Spring clip
- *707 O-ring
- 1400 Socket (included)

* These individual parts form a complete wearing unit.
When ordering spare parts please state Cat no and series no.

General Dimensions

Solenoid rotatable 360°
 Socket turnable 4 x 90°
 (Socket included)



Part Number	Ø A	B	H	H1	L	L1	R	T
8273000.9101	44	19.5	78.5	67.0	60	27.5	G 1/4	12.0
8274000.9101	44	19.5	78.5	67.0	60	27.5	1/4" NPT	10.0
8273100.9101	44	19.5	78.5	67.0	60	27.5	G 3/8	12.0
8274100.9101	44	19.5	78.5	67.0	60	27.5	3/8" NPT	10.5
8273200.9101	44	19.5	81.0	67.0	67	31.0	G 1/2	14.0
8274200.9101	44	19.5	81.0	67.0	67	31.0	1/2" NPT	13.5
8273300.9101	50	24.0	88.0	71.5	80	36.5	G 3/4	16.0
8274300.9101	50	24.0	88.0	71.5	80	36.5	3/4" NPT	14.0
8273400.9101	62	29.5	97.5	77.0	95	44.0	G 1	18.0
8274400.9101	62	29.5	97.5	77.0	95	44.0	1" NPT	17.0

Note to Pressure Equipment Directive (PED):
 The valves of this series are according to Art. 3 § 3 of the Pressure Equipment Directive (PED) 97/23/EG. This means interpretation and production are in accordance to engineers practice wellknown in the member countries. The CE-sign at the valve does not refer to the PED. Thus the declaration of conformity is not longer applicable for this directive.

Note to Electromagnetic Compatibility Guideline (EEC):
 The valves shall be provided with an electrical circuit which ensures the limits of the harmonised standards EN 50081-1 and EN 50082-1 are observed, and hence the requirements of the Electromagnetic Compatibility Guideline (89/336/EEC) satisfield.