

2/2-way valves ND 15 to 100



For neutral gaseous and liquid fluids
 Pressure actuated by external fluid
 Seat valves
 Flange connection PN 16
 Operating pressure, 0 to 16 bar (see table)

Publication 7501570.06.01.96
 Catalogue index
A 8
 83 200 series

Description (standard valve)

Valve for air, water, oil, hot water and steam up to
 max. 400 mm²/s (cSt)

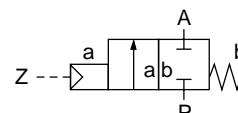
Flow direction: determined
 Mounting position: optional

Flow fluid range

Fluid temperature: max. +180 °C
 Ambient temperature: max. +80 °C
 Material Body: Grey cast iron
 Seat seal: PTFE (Teflon)
 Internal parts: 1.4571, 1.4568,
 1.4305, Brass

Seal packing: PTFE (Teflon) / EPDM

Pilot fluid: gaseous neutral fluid,
 Temperature max. +80 °C



Switching function:
 Normally closed

Features

- High flow rate
- Suitable for contaminated fluid
- Damped closing (valve is closing against the flow direction)

Characteristic data

ND	Operating pressure with gaseous and liquid fluids up to 400 mm ² /s (cSt)		Pilot pressure [bar]		k _v -value (Base m ³ /h)	Weight [kg]	Section no	Dimension table no	Cat no XX XXX XX.XXXX
	min.	max.	min.	max.					
[mm]									
15	0	16.0	4	10	3.6	3.6	01	01	83 202 00.0000
20	0	16.0	4	10	6.1	4.6	01	02	83 203 00.0000
25	0	10.0	4	10	9.5	5.2	01	03	83 204 00.0000
32	0	10.0	4	10	15.0	10.4	02	04	83 205 00.0000
40	0	10.0	4	10	23.0	12.2	02	05	83 206 00.0000
50	0	10.0	4	10	35.0	15.2	02	06	83 207 00.0000
65	0	7.0	4	10	61.0	22.4	02	07	83 208 00.0000
80	0	5.0	4	10	90.0	26.0	02	08	83 209 00.0000
100	0	2.5	4	10	138.0	34.5	02	09	83 210 00.0000

IMI Norgren Buschjost GmbH + Co. KG

PO Box 10 02 52-53
 D-32502 Bad Oeynhausen

Tel +49 (0) 57 31 79 10
 Fax +49 (0) 57 31 79 11 79

<http://www.buschjost.com>
 e-mail: mail@buschjost.de

Further models

available at extra cost

- XX XXX **01.XXXX** Normally open
- XX XXX **53.XXXX** Pilot fluid water
- XX XXX **55.XXXX** Optical position indicator
- XX XXX **57.XXXX** Electrical position indicator AC/DC
- XX XXX **58.XXXX** Electrical position indicator
only DC max. 30V
- XX XXX **64.XXXX** Electrical position indicator
EEx de IIC T6

● On request

- High-Temperature version up to +300° C
- Body material cast steel PN 25/PN 40
- Connection ND 125, ND 150

A pilot valve can be fitted at the pilot connection

Required parts ND 15 up to ND 50	Cat no
1 pc. 3/2-way-solenoid valve	84 954 75. 0164 DC 84 954 75. 0165 AC

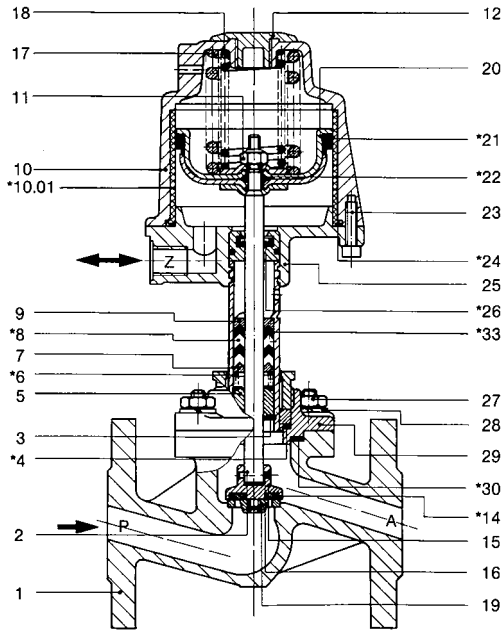
Techn. details see publication 7502723.06.XX.XX

Required parts ND 65 up to ND 100	Cat no
1 pc. 3/2-way-solenoid valve for gaseous fluide	80 207 50.0246
or 1 pc. 3/2-way-solenoid valve for liquid fluide	24 011 03.0801
1 pc. connection complete	05 626 10.0000

Techn. details see publication 7501049.05.XX.XX
or 750 0189.05.XX.XX

Sections

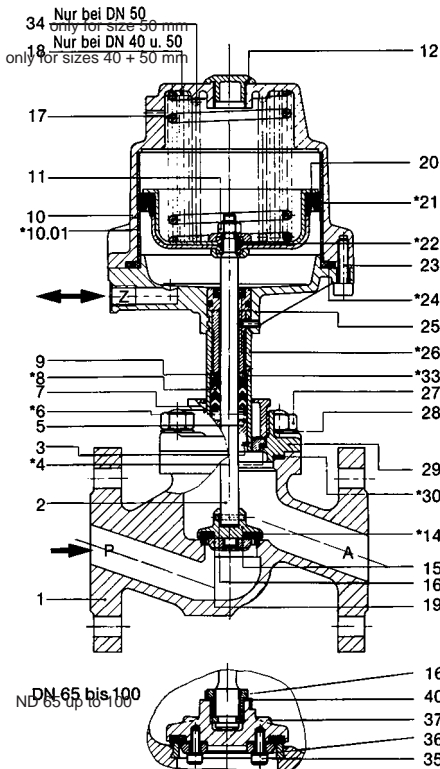
01



- | | | | |
|--------|-----------------|-----|----------------------|
| 1 | Valve body | 18 | Pressure spring |
| 2 | Spindle | 19 | Retaining nut |
| 3 | Locking ring | 20 | Sleeve complete |
| *4 | Gasket | *21 | Lip-ring |
| 5 | Guide ring | *22 | O-ring |
| *6 | Pressure spring | 23 | Hexagon socket screw |
| 7 | Support ring | *24 | O-ring |
| *8 | Packing ring | 25 | Base complete |
| 9 | Thrust collar | *26 | Lip-ring |
| 10 | cover | 27 | Hexagon nut |
| *10.01 | Sleeve | 28 | Spring washer |
| 11 | Hexagon nut | 29 | Flange |
| 12 | Stopper | *30 | Seal ring |
| *14 | Seat seal | *33 | Packing ring |
| 15 | Valve plate | 34 | Pressure spring |
| 16 | Pin | | |
| 17 | Pressure spring | | |

* These individual parts form a complete wearing unit.
When ordering spare parts please state Cat no and series no.

02



- | | | | |
|--------|-----------------|-----|----------------------|
| 1 | Valve body | 18 | Pressure spring |
| 2 | Spindle | 19 | Retaining nut |
| 3 | Locking ring | 20 | Sleeve complete |
| *4 | Gasket | *21 | Lip-ring |
| 5 | Guide ring | *22 | O-ring |
| *6 | Pressure spring | 23 | Hexagon socket screw |
| 7 | Support ring | *24 | O-ring |
| *8 | Packing ring | 25 | Base complete |
| 9 | Thrust collar | *26 | Lip-ring |
| 10 | Cover | 27 | Hexagon nut |
| *10.01 | Sleeve | 28 | Spring washer |
| 11 | Hexagon nut | 29 | Flange |
| 12 | Stopper | *30 | Seal ring |
| *14 | Seat seal | *33 | Packing ring |
| 15 | Valve plate | 34 | Pressure spring |
| 16 | Pin | | |
| 17 | Pressure spring | | |

Pos. of ND 65 up to 100 (see extra drawing)

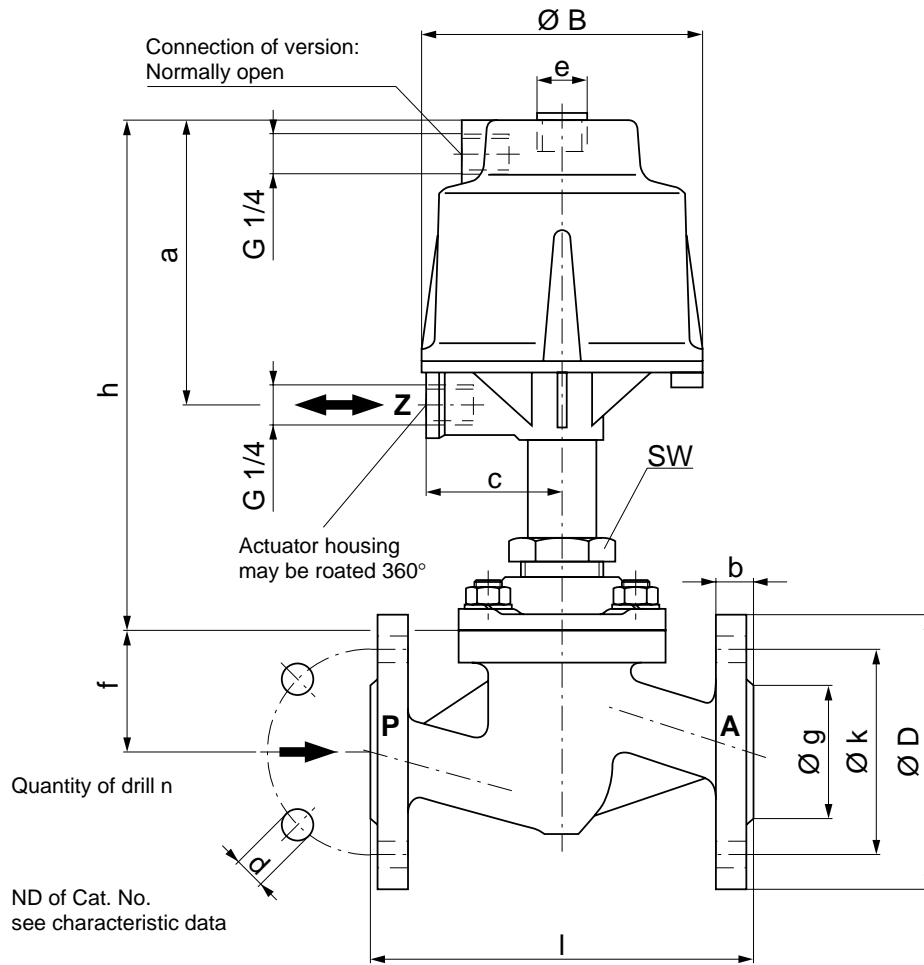
- | | | | |
|----|-----------------|----|---------------|
| 16 | Collar Bush | 37 | Semimonocoque |
| 35 | Hexagon screw | 40 | Locking plate |
| 36 | Pressure spring | | |

Dimensions

Filling volume of Actuator:

Ø B 96 = 0.13 NI

Ø B 164 = 0.63 NI



Flange connection PN 16 acc. to DIN 2533

Contact face DIN 2526 type C

Dimensional table No.	Ø D	Ø g	Ø k	b	d	n	a	Ø B	c	e	f	h	l	SW
01	95	45	65	14	14	4	98	96	46	M 16 x 1	39	176	130	36
02	105	58	75	16	14	4	98	96	46	M 16 x 1	48	176	150	46
03	115	68	85	16	14	4	98	96	46	M 16 x 1	54	176	160	46
04	140	78	100	18	18	4	143	164	81	M 16 x 1	67	246	180	60
05	150	88	110	18	18	4	143	164	81	M 16 x 1	72	246	200	60
06	165	102	125	20	18	4	143	164	81	M 16 x 1	80	248	230	75
07	185	122	145	20	18	4	143	164	81	M 16 x 1	97	241	290	75
08	200	138	160	22	18	8	143	164	81	M 16 x 1	109	249	310	75
09	220	158	180	22	18	8	143	164	81	M 16 x 1	130	249	350	75