

# 3/2-way valve ND 15 to 100



For neutral gaseous and liquid fluids  
 Pressure actuated by external fluid  
 Seat valves  
 Flange connection PN 16  
 Operating pressure 0 to 16 bar, see table

Publication 7502700.06.02.98  
 Catalogue index  
**A 10**  
 83 240 series

## Description (standard valve)

Valve for air, water, oil, hot water and water vapour to  
 max. 400 mm<sup>2</sup>/s(cSt)

**Pilot fluid:** compressed air and liquid neutral Fluid to +80 °C  
 viscosity max. 40 mm<sup>2</sup>/s(cSt)

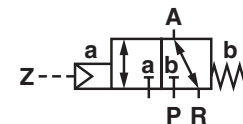
**Fluid temperature:** max. +180 °C  
**Ambient temperature:** max. +80 °C  
**Mounting position:** optional,  
 preferably vertical on top

**Material Body:** GG  
**Seat seal:** PTFE (Teflon)  
**Internal parts:** 1.4104, 1.4568, 1.4305, Brass



## Features

- Suitable for steam
- Different flow direction possible (pressure on connection A)
- High flow rate



**Switching function:**  
 Normally closed

## Characteristic data

ND [mm]	Operating pressure with gaseous and liquid fluids up to 400 mm <sup>2</sup> /s(cSt) [bar]		Pilot pressure [bar]		k <sub>v</sub> -value (Base m <sup>3</sup> /h)		Weight [kg]	Cat no XXXXXXXX.XXXX
	min.	max.	min.	max.	way P→A	way A→R		
15	0	16	4	7	6.1	4.2	4.7	<b>8324200.0000</b>
20	0	16	4	7	12.0	7.0	5.1	<b>8324300.0000</b>
25	0	10	4	7	19.0	12.5	5.7	<b>8324400.0000</b>
32	0	16	4	7	25.0	15.0	13.5	<b>8324500.0000</b>
40	0	16	4	7	39.0	27.0	14.5	<b>8324600.0000</b>
50	0	8	4	7	64.0	43.0	18.5	<b>8324700.0000</b>
65	0	7	4	7	102.0	67.0	25.5	<b>8324800.0000</b>
80	0	4	4	7	144.0	94.0	32.0	<b>8324900.0000</b>
100	0	2	4	7	219.0	144.0	44.0	<b>8325000.0000</b>

## IMI Norgren Buschjost GmbH + Co. KG

PO Box 10 02 52-53  
 D-32502 Bad Oeynhausen

Tel +49 (0) 57 31 79 10  
 Fax +49 (0) 57 31 79 11 79

<http://www.buschjost.com>  
 e-mail: mail@buschjost.de

## Further models

available at extra cost

- XXXXX53.XXX Pilot fluid water
- XXXXX55.XXX Optical position indicator
- XXXXX57.XXX Electrical position indicator AC/DC
- XXXXX58.XXX Elektrical position indicator only DC max. 30V
- XXXXX64.XXX Elektrical position indicator EEx de IIC T6

An electrical solenoid valve can be attach at the pilot connection Z.

Required parts by ND 15 to ND 50	Cat no
1 pcs. 3/2-way solenoid valve	<b>8495475.0164 DC</b> <b>8495475.0165 AC</b>

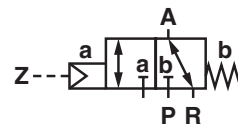
Technical details see publication 7502723.06.XX.XX

Required parts by ND 65 to ND 100	Cat no
1 pcs. 3/2-way solenoid valve for gaseous fluids or 1 pcs. 3/2-way solenoid valve for liquid fluids	<b>8020750.0246</b>  <b>2401103.0801</b>
1 pcs. connection complete	<b>0562610.0000</b>

Technical details see publication 7501049.05.XX.XX  
respectively 7500189.05.XXXX

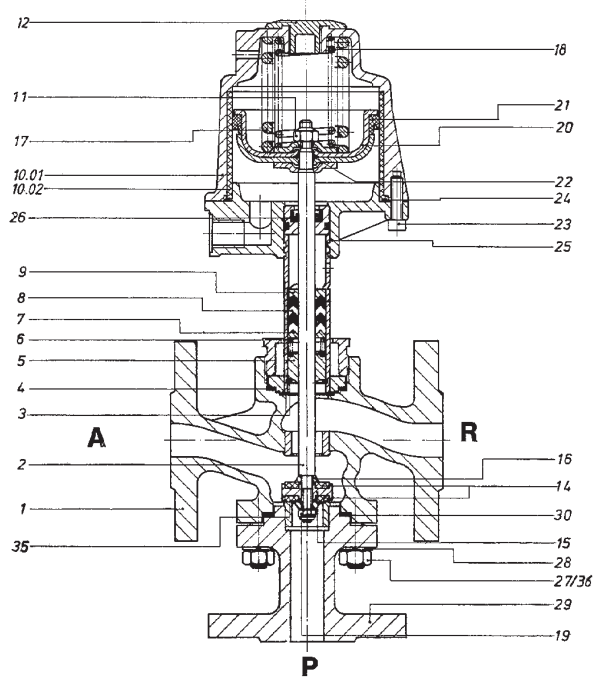
## Minimal control pressure and maximal Pression de service Flow direction from A→P and A→R

ND	Pilot pressure min [bar]	Operating presssure max. [bar]
15	5.5	16.0
20	5.5	16.0
25	5.5	16.0
32	5.5	16.0
40	5.5	16.0
50	5.5	12.0
65	5.5	10.0
80	5.5	7.0
100	5.5	5.0



Switching function:  
Pressure connection by A;  
Flow direction A to R and A to P  
(Fork valve)

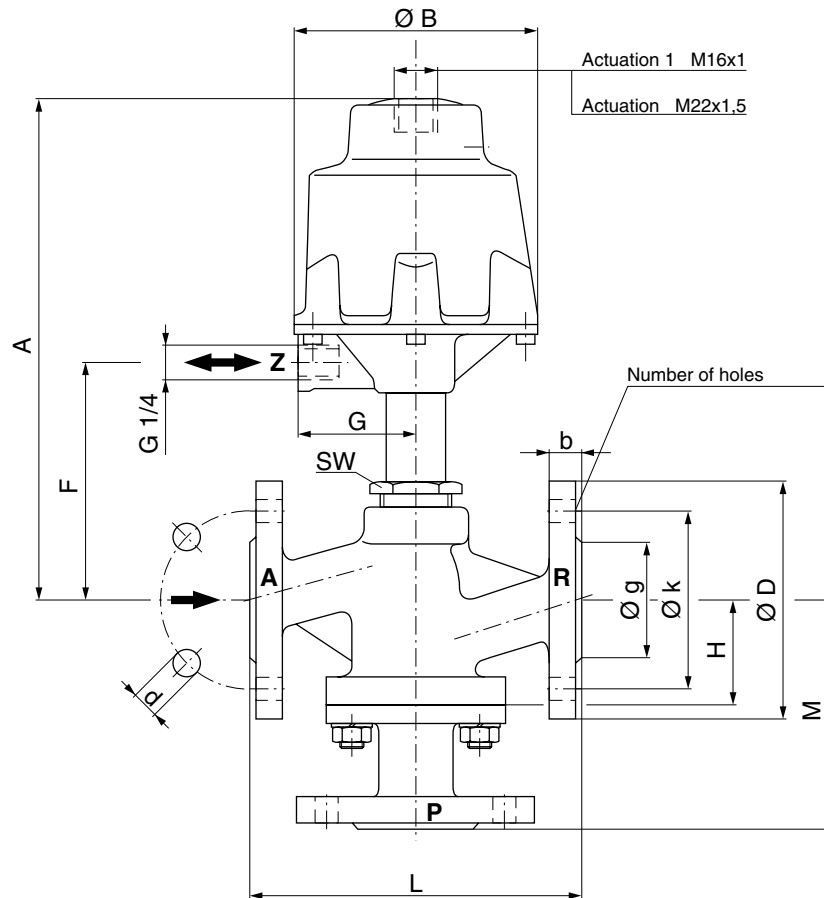
# Section



- |       |                  |    |                 |
|-------|------------------|----|-----------------|
| 1     | Valve body       | 18 | Pressure spring |
| 2     | Spindle          | 19 | Locking nut     |
| 3     | Circlip          | 20 | Piston complete |
| 4     | Gasket           | 21 | Lip ring        |
| 5     | Guide bush       | 22 | O ring          |
| 6     | Spring           | 23 | Hexagon nut     |
| 7     | Support ring     | 24 | O ring          |
| 8     | Packing ring     | 25 | Actuator body   |
| 9     | Compression ring | 26 | Lip ring        |
| 10.01 | Actuator cover   | 27 | Hexagon nut     |
| 10.02 | Sleeve           | 28 | Spring washer   |
| 11    | Locking nut      | 29 | Flange complete |
| 12    | Cap              | 30 | Seat Flange     |
| 14    | Seal             | 35 | O ring          |
| 15    | Valve plate      |    |                 |
| 16    | Curved washer    |    |                 |
| 17    | Pressure spring  |    |                 |

When ordering spare parts please state Cat no and series no.

# Dimensions



Connection body										
ND	L	ø D	K	M	ø g	ø d	b	n	H	SW
15	130	95	65	97	45	14	14	4	39	41
20	150	105	75	110	58	14	16	4	48	41
25	160	115	85	116	68	14	16	4	54	41
32	180	140	100	140	78	18	18	4	67	41
40	200	150	110	145	88	18	18	4	72	41
50	230	165	125	156	102	18	20	4	80	41
65	290	185	145	182	122	18	20	4	96	55
80	310	200	160	188	138	18	22	8	109	55
100	350	220	180	229	158	18	24	8	130	55

ND	Actuation 1				Actuation 2			
	A	F	G	B	A	F	G	B
15	201	96	48	96	—	—	—	—
20	206	101	48	96	—	—	—	—
25	207	102	48	96	—	—	—	—
32	—	—	—	—	295	145	62	164
40	—	—	—	—	303	153	62	164
50	—	—	—	—	312	162	62	164
65	—	—	—	—	319	169	62	164
80	—	—	—	—	331	181	62	164
100	—	—	—	—	344	194	62	164