

3/2-way valves ND 15 to 50



For neutral gaseous and liquid fluids
 Pressure actuated by external fluid
 Seat valves
 Internal threads G 1/2 to G 2
 Operating pressure 0 to 16 bar, see table

Publication 7500963.05.02.98
 Catalogue index
A10
 83250 series

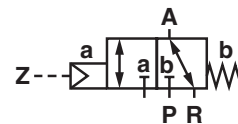
Description (standard valve)

Valve for air, water, oil, hot water and water vapour to
 max. 400 mm²/s(cSt)

Pilot fluid: compressed air and liquid
 neutral Fluid to +80 °C
 viscosity max. 40 mm²/s(cSt)

Fluid temperature: max. +180 °C
Ambient temperature: max. + 80 °C
Mounting position: optional,
 preferably vertical on top

Material Body: Gun metal
Seat seal: PTFE (Teflon)
Internal parts: 1.4104, 1.4568, 1.4305, Brass



Switching function:
 Normally closed

Features

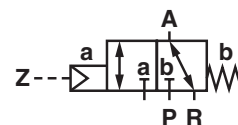
- Suitable for steam
- Different flow direction possible (pressure on connection A)
- High flow rate

Characteristic data

ND	Connection	Operating pressure with gaseous and liquid fluids up to 400 mm ² /s(cSt)		Pilot pressure [bar]		kv-value (Base m ³ /h)		Weight [kg]	Dimensional drawing no	Cat no
		min. [bar]	max. [bar]	min.	max.	way P → A	way A → R			
[mm]										XXXXXXXX.XXXX
15	G 1/2	0	16	4	7	5.8	3.0	1.6	01	8325200.0000
20	G 3/4	0	16	4	7	11.5	7.0	1.8	02	8325300.0000
25	G 1	0	10	4	7	18.0	12.5	2.1	03	8325400.0000
32	G 1 1/4	0	16	4	7	25.0	15.0	6.6	04	8325500.0000
40	G 1 1/2	0	16	4	7	39.0	27.0	6.8	05	8325600.0000
50	G 2	0	8	4	7	64.0	43.0	7.9	06	8325700.0000

Min. pilot pressure and max. operating pressure Flow direction from A → P and A → R

ND	pilot pressure min. [bar]	operating pressure max. [bar]
15	5.5	16
20	5.5	16
25	5.5	16
32	5.5	16
40	5.5	16
50	5.5	12



Switching function:
 Pressure connection by A;
 Flow direction
 A to R and A to P
 (Fork valve)

IMI Norgren Buschjost GmbH + Co. KG

PO Box 10 02 52-53
 D-32502 Bad Oeynhausen

Tel +49 (0) 57 31 79 10
 Fax +49 (0) 57 31 79 11 79

<http://www.buschjost.com>
 e-mail:mail@buschjost.de

Further models
available at extra cost

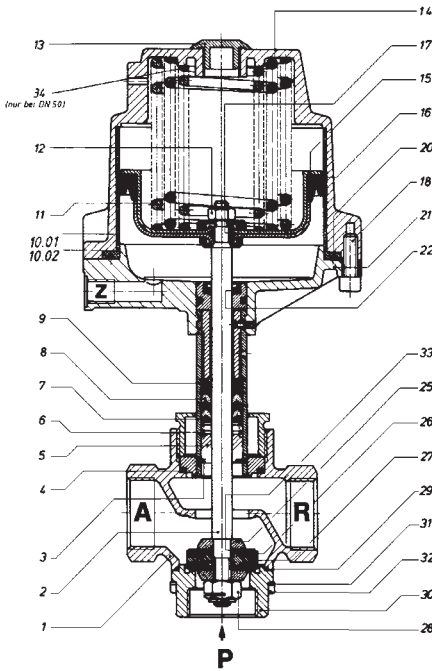
- XXXXX57.XXXX Electrical position indicator AC/DC
- XXXXX58.XXXX Electrical position indicator only DC max. 30 V
- XXXXX64.XXXX Electrical position indicator EEx de IIC T6
- On request Further versions

An electrical solenoid valve can be attach at the pilot connection Z.

Required parts	Cat no
1 pcs. 3/2-way solenoid valve	8495475.0164 DC 8495475.0165 AC

Technical details see publication 7502723.06.XX.XX

Section

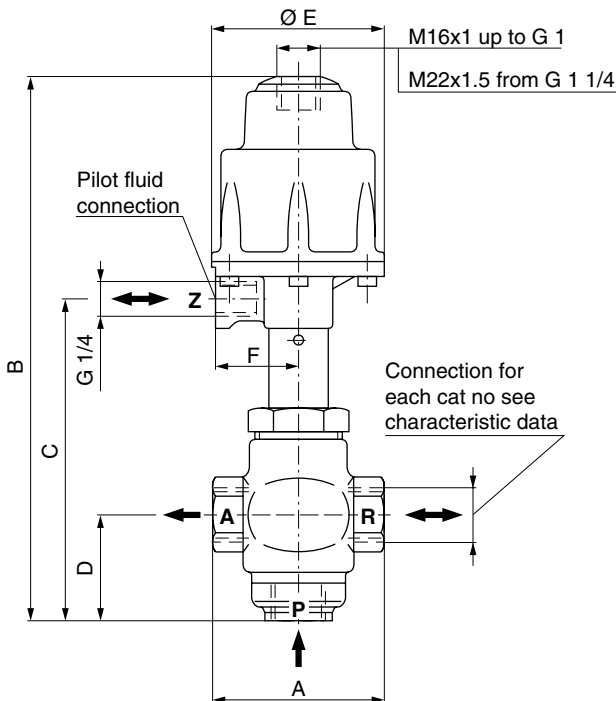


- | | |
|----------------------|----------------------------------|
| 1 Valve body | *17 O-ring |
| 2 Spindle | 18 Tapite-hexagon screw |
| 3 Circlip | *20 O-ring |
| *4 Gasket | 21 Bottom part complete |
| 5 Guide bush | *22 Lip ring |
| 6 Pressure spring | 25 Curved washer |
| 7 Support ring | *26 Gasket |
| *8 Packing ring | 27 Valve plate |
| 9 Compression ring | 28 Locking nut with taper spring |
| 10.01 Actuator cover | *29 O-ring |
| 10.02 Sleeve | 30 Seat flange |
| 11 Pressure spring | 31 Hexagon screw |
| 12 Locking nut | 32 Pressure spring |
| 13 Cap | *33 O-ring |
| 14 Pressure spring | |
| 15 Piston complete | |
| *16 Lip ring | |

*These individual parts form a complete wearing unit.

When ordering spare parts please state Cat. No. and series No.

Dimensions



Filling volume of actuator:

- Ø E 96 = 0.13 NL
- Ø E 164 = 0.63 NL

Dimension table no	Fitting lenght A	B	C
01	67	228	124
02	80	234	130
03	95	236	132
04	112	333,5	180,5
05	132	334,5	181,5
06	160	345,5	193,5

Dimension table no	D	Ø E	F
01	37,0	96	48
02	39,0	96	48
03	41,0	96	48
04	60,5	164	62
05	61,5	164	62
06	68,5	164	62