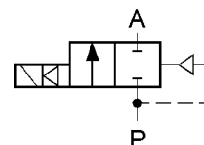


Closed when de-energised (NC)

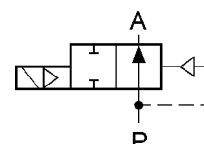
(Brass body)

Ports	Orifice size [mm]	Kv value (water at 1 bar) [l/min]	Differential pressure [bar]		Seals	Mass [kg]	Coil type	Model	Order code 230VAC	Fig.
			Min	Max AC*						
G1	25	180	1	20	PTFE	1.25	TM30	B26	316401	1
G6/4	40	350	1	20	PTFE	2.2	TM30	B26	316451	1
G2	50	630	1	20	PTFE	5.3	TM30	B26	316481	1
G1/2	10	20	0.3	50	PA	0.43	TM30	B27	316595	2
	10	20	0.3	50	PTFE	0.43	TM30	B27	316600	2
G1	25	180	2	60	PTFE	1.51	TM35	B27	316261	3
G6/4	40	350	2	50	PTFE	3.1	TM35	B27	316271	3
G2	50	630	2	35	PTFE	6.5	TM35	B27	316291	3
G3/8	8	30	0.8	100	PA	0.43	TM35	BS3	316160	5
G1/2	12	45	1.7	120	PA	1.4	TM35	BS4	316240	4
G3/4	18	110	1.7	80	PA	1.4	TM35	BS5	316230	4



Open when de-energised (NO)

G1	25	180	1	20	PTFE	1.25	TM30	B26NO	316411	1
G6/4	40	350	1	20	PTFE	2.2	TM30	B26NO	316421	1
G2	50	630	1	20	PTFE	5.3	TM30	B26NO	316431	1
G1/2	10	20	0.3	50	PA	0.43	TM30	B27NO	316598	2
	10	20	0.3	50	PTFE	0.43	TM30	B27NO	316620	2
G1	25	180	2	60	PTFE	1.51	TM35	B27NO	316263	3
G6/4	40	350	2	50	PTFE	3.1	TM35	B27NO	316281	3
G2	50	630	2	35	PTFE	6.5	TM35	B27NO	316300	3
G3/8	8	30	0.8	100	PA	0.43	TM35	BS3NO	316158	5
G1/2	12	45	1.7	120	PA	1.4	TM35	BS4NO	316241	4
G3/4	18	110	1.7	80	PA	1.4	TM35	BS5NO	316221	4



*Pressure is lower when DC coil is used!

ORDERING:

Please state order code and voltage (e.g.: 316401 24VAC) or consult our staff.
For easier valve choice use QUESTIONNAIRE on page 36.

OPTIONS:

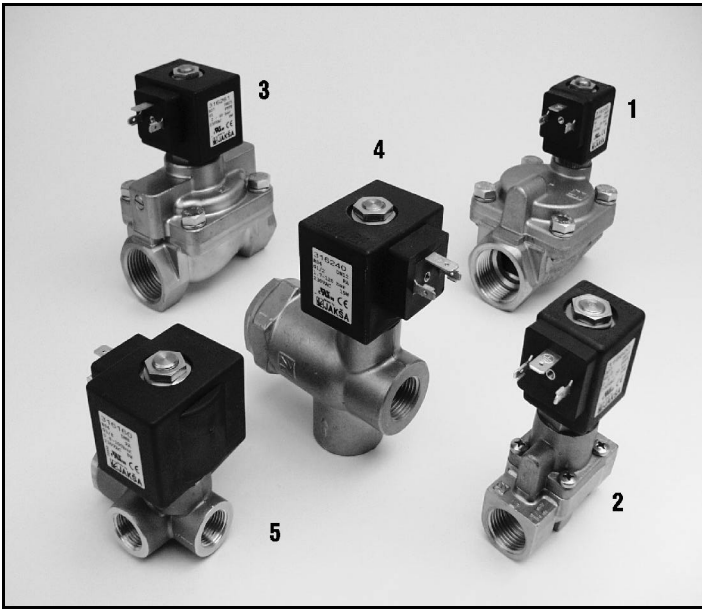
- EEx me II explosionproof coils
- NPT ports

Other versions on request.

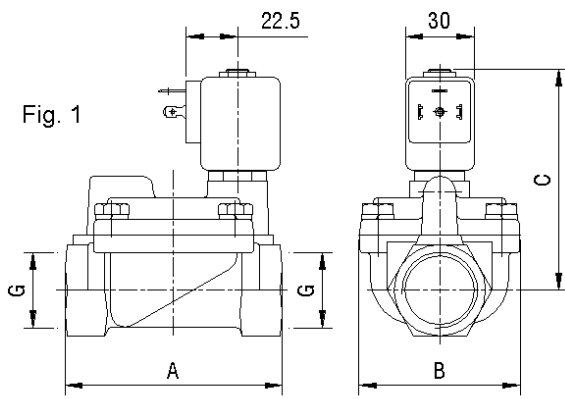
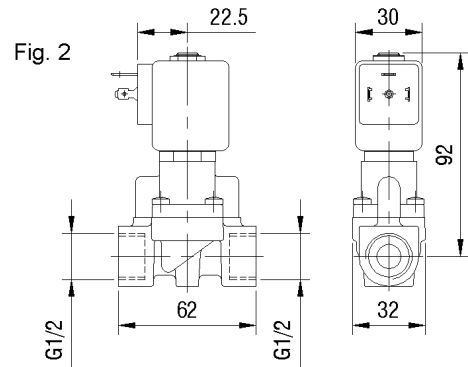
Specifications are subject to change without notice.

TECHNICAL DATA:

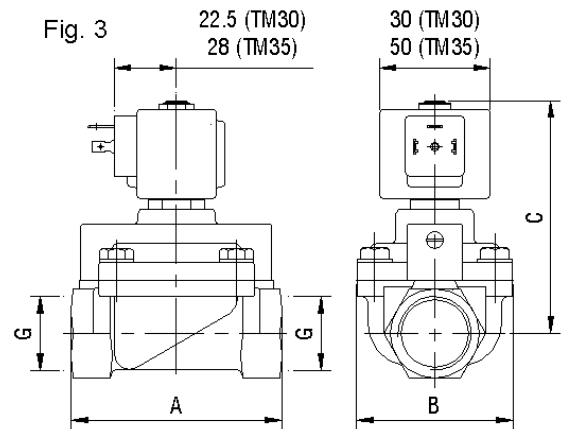
Valve body: Ms
Internal parts: stainless steel
Fluid temperature: -10°C to +100°C (PTFE)
-10°C to +90°C (PA)
Ambient temperature: max +55°C
Viscosity: max 21 mm²/s
Response time: opening 0.1 to 1 s / closing 0.5 to 5 s
Voltages: 230, 115, 48, 24 V 50/60 Hz
24, 12 V DC
Power consumption: see chapter »Coils«
Duty cycle: continuous (ED100%)
Cycling rate: 10 to 100 cpm
Electrical protection: IP65 (with plug to DIN 43650)



Dimensions [mm]:



G	A	B	C
1"	95	70	97
6/4"	132	96	113
2"	160	112	129



G	A	B	C
1"	95	70	106
6/4"	132	96	128
2"	160	112	129

